

Hickman Line Catheter Flushing and Cap Change

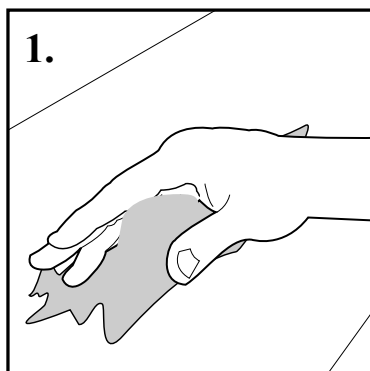
EQUIPMENT:

- Pump soap container (no bar soap) and clean dry towel
- Garbage bag
- Chlorhexidine (CHG) or Alcohol swabs (4-10)

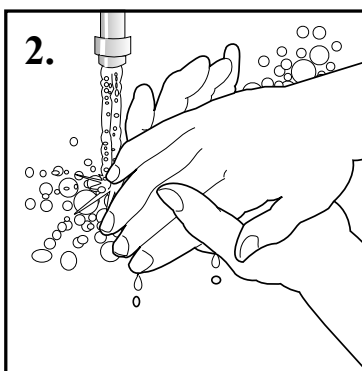
- Normal Saline 0.9% (NS) 10mL prefilled syringes, 20 mL per lumen (2-6)
- Heparin pre-filled syringes solution (1-3)
- Cap (1-3)
- Waterproof tape (optional)

Points To Remember

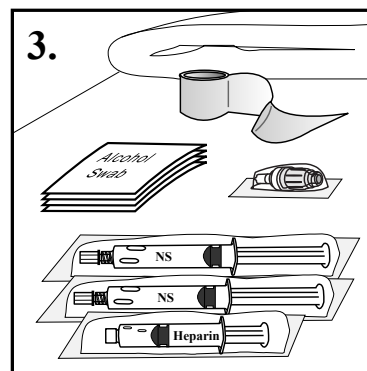
- **Leave catheter clamped when not in use.**
- **Flush catheter and change cap once a week**
- **Flush with 20 mL of normal saline (NS), followed by 3 mL of heparin**



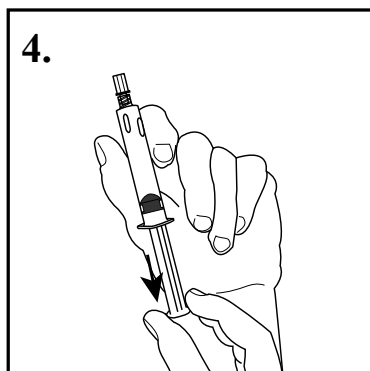
Clean working surface with alcohol.



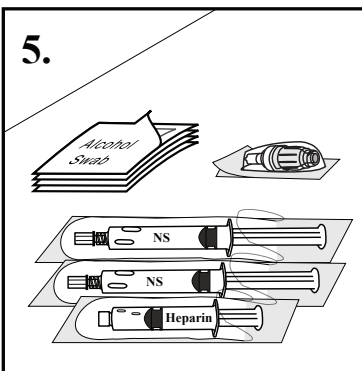
Carefully **Wash Hands** for one minute. Scrub nails. Dry with clean towel.



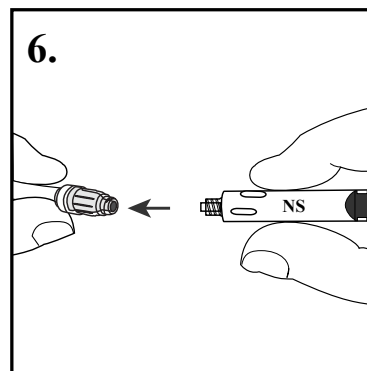
Gather equipment and place on clean working surface.



Open packages. Break the seal of NS and Heparin syringe by pulling back on plunger.

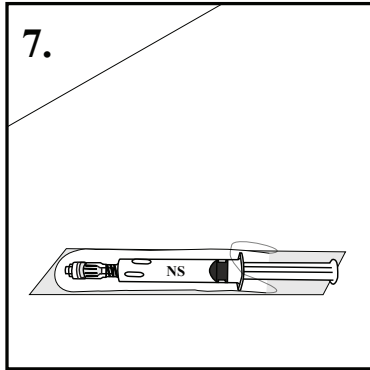


Leave supplies inside.

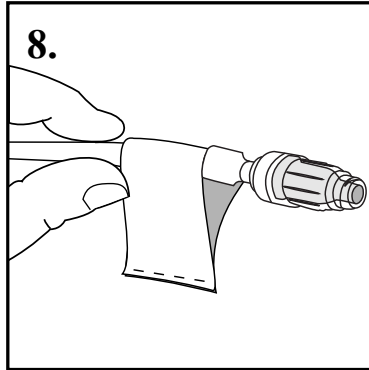


Attach NS syringe to cap and flush it. Do not touch the connection ends.

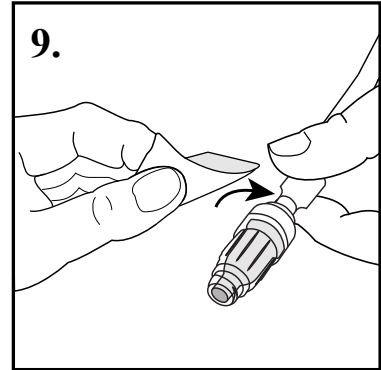
**CATHETER FLUSHING
AND CAP CHANGE continued...**



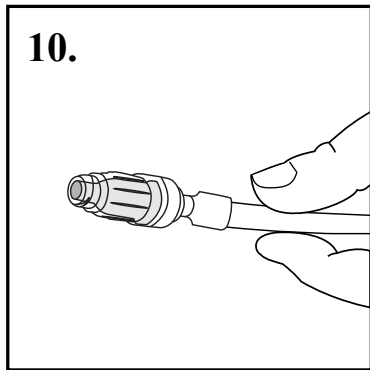
Place the cap attached to NS syringe inside the package.



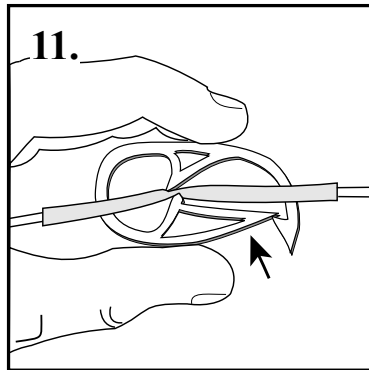
Remove waterproof tape from catheter if present. **Tape should not be around cap connection.**



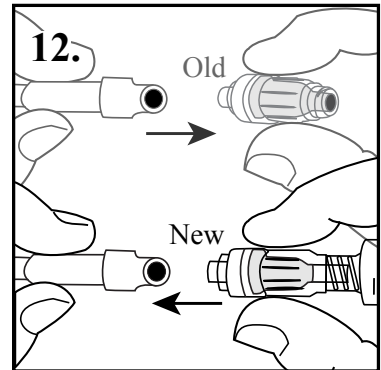
Scrub the cap/catheter connection using alcohol swab for 15 seconds. Let dry **COMPLETELY**.



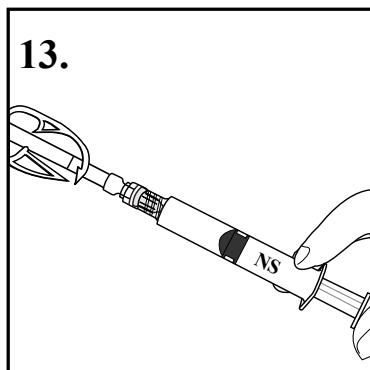
Do not let go of the catheter until you have finished flushing procedure.



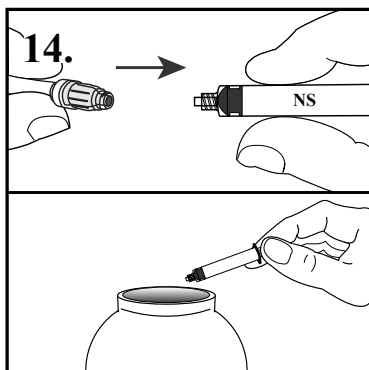
Ensure catheter is clamped before removing the cap.



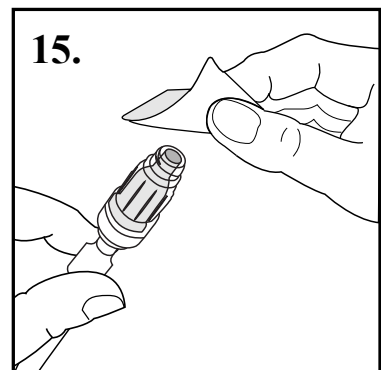
Remove old cap. (Clean the catheter threads with alcohol swab if visibly soiled) Attach the new cap/ NS syringe. Do not touch the tip of the catheter.



Open clamp and flush NS using a start/stop technique.

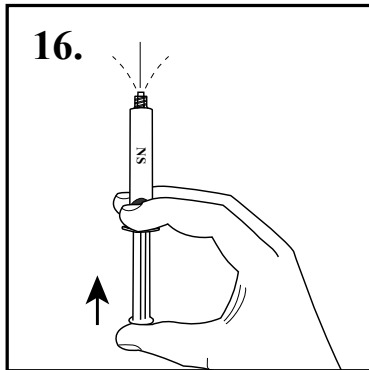


Remove NS syringe and discard.

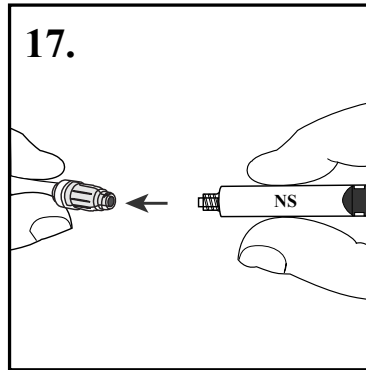


Scrub the cap connection using alcohol swab for 15 seconds. Let dry **COMPLETELY**.

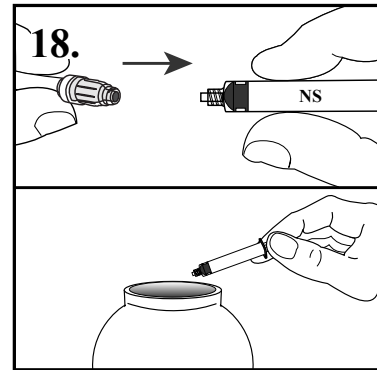
**CATHETER FLUSHING
AND CAP CHANGE continued...**



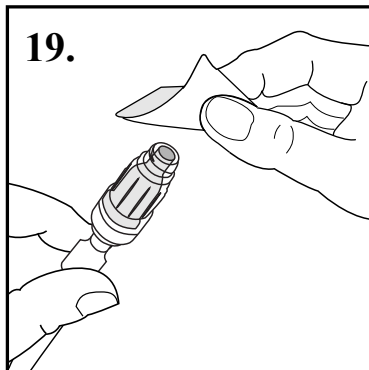
Remove cap and expel air from NS syringe.



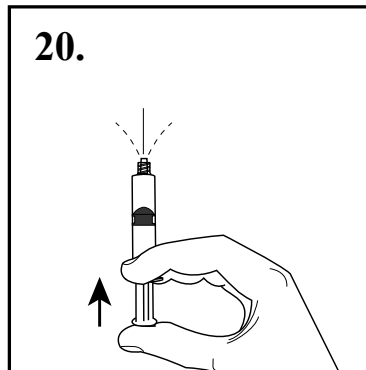
Attach the new NS syringe to cap. Do not TOUCH connection. Flush NS using a start/stop technique.



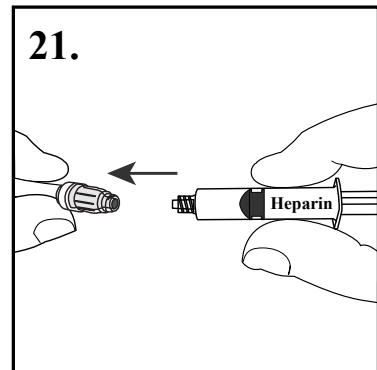
Remove NS syringe and discard.



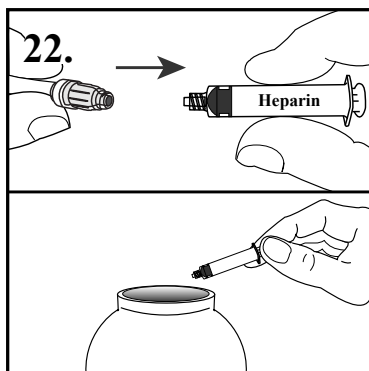
Scrub the cap connection using alcohol swab for 15 seconds. Let dry COMPLETELY.



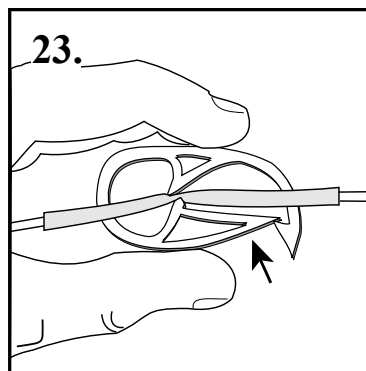
Remove cap and expel air from Heparin syringe.



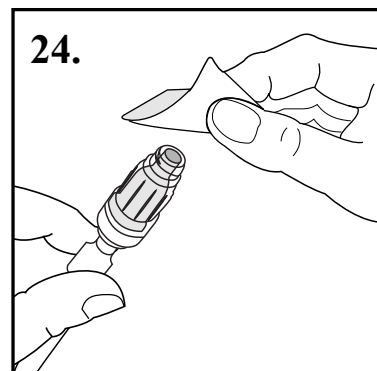
Attach Heparin prefilled syringe and flush solution using a using a start/stop technique. Do not touch connection.



Remove Heparin syringe and discard.

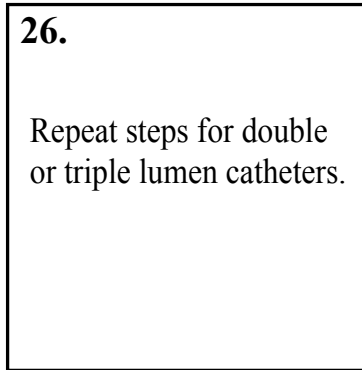
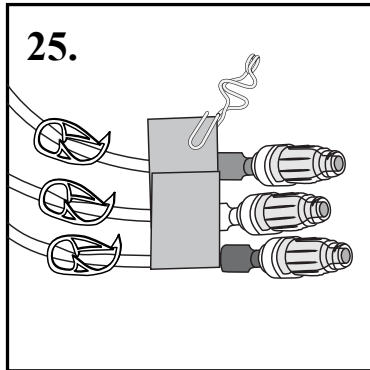


Clamp catheter. Catheter should be clamped over reinforced sleeve.



Wipe top of cap with alcohol swab to remove fluid drip.

CATHETER FLUSHING AND CAP CHANGE continued...



Secure catheter, tape around the line if needed to attach clips (optional). Tape should not be around connection.

For more copies, go online at <http://vch.eduhealth.ca> or email pchem@vch.ca and quote Catalogue No. **FA.200.H528**
© Vancouver Coastal Health, September 2016

The information in this document is intended solely for the person to whom it was given by the health care team.
www.vch.ca