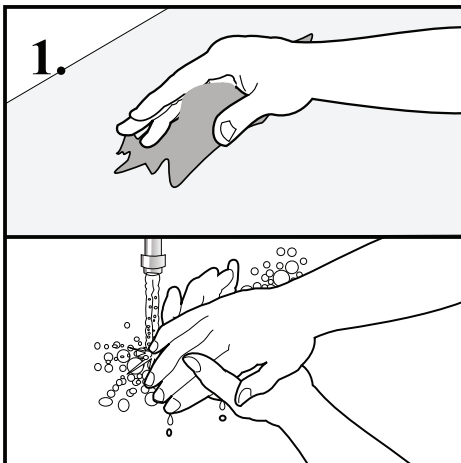
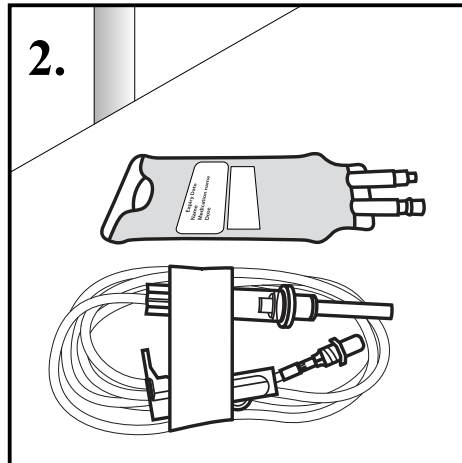


Gravity infusion

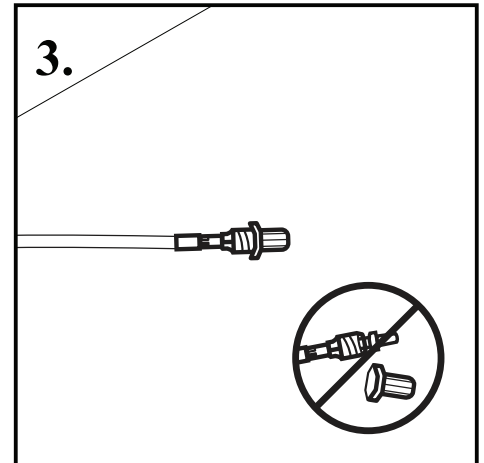
How to set up your medication for infusion



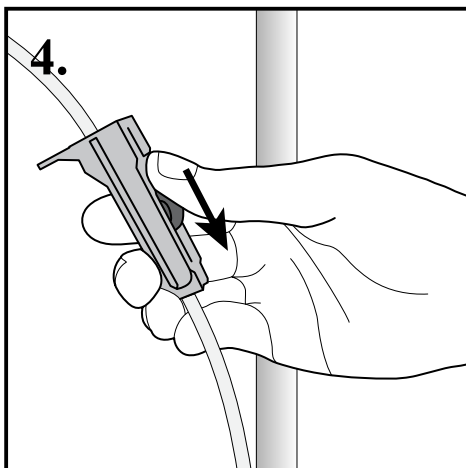
1. Prepare a clean work area and wash your hands.
If someone is helping you, they should wash their hands and use gloves.



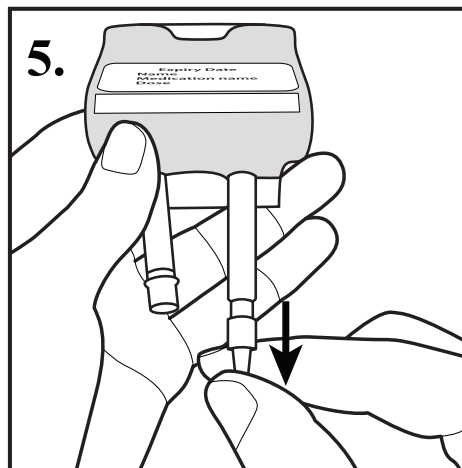
2. Gather equipment:
• IV pole *ask nurse if you need help putting IV pole together*
• Medicine bag
• IV tubing



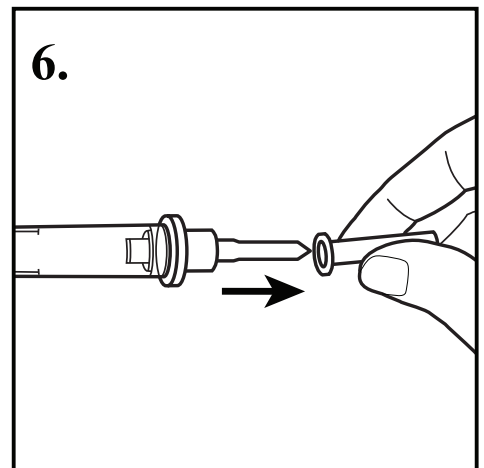
3. Unwrap tubing and straighten. Leave cover on end of tubing until ready to connect.



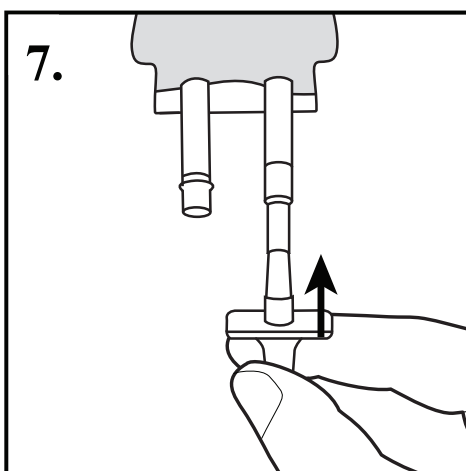
4. Slide roller clamp up tubing to about 1 foot (30 cm) below drip chamber; close clamp.



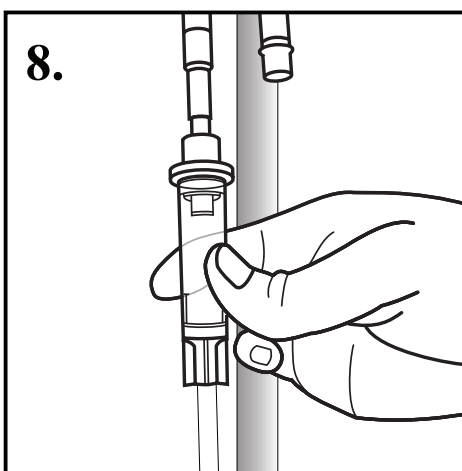
5. **Attach IV tubing:**
Pull tab off the IV medicine bag.



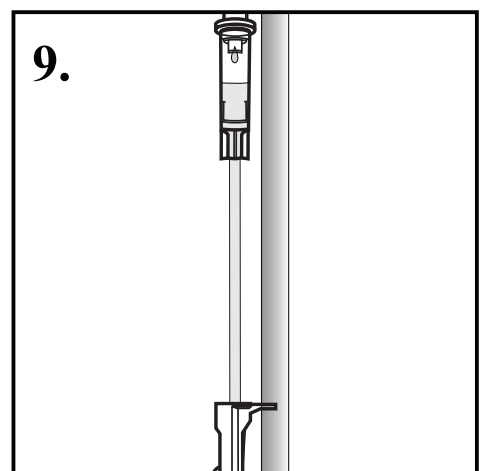
6. Remove cover from IV tubing spike
Do not touch spike.



7. Push and twist IV tubing spike into port of medicine bag.



8. Hang medicine bag on hook of IV pole; squeeze drip chamber until ½ full.



9. **Prime tubing:**
Open roller clamp half way to allow fluid to run slowly through tubing. When fluid gets to the end of tubing, close clamp. Avoid extra dripping from end of tubing.

For more copies, go online at <http://vch.eduhealth.ca> or email
phem@vch.ca and quote Catalogue No. **FA.200.G73**
© Vancouver Coastal Health, December 20200

The information in this document is intended solely for the
person to whom it was given by the health care team.
www.vch.ca